



*Personal Computer
Hardware Reference
Library*

IBM Monochrome Display

IBM Monochrome Display



Contents

Description	1
Specifications	3
Logic Diagrams	5



Description

The high resolution IBM Monochrome Display connects to the system unit through two cables. One cable is a signal cable from the display adapter to the display, and the other provides power to the display from the system unit. This arrangement eliminates the need for a wall outlet and allows the system-unit Power switch to control power to the display. The display unit has a 28.3 cm (11.5 in.) diagonal, 90° deflection cathode ray tube (CRT). The display may be placed on the system unit or on a nearby table or desk. Brightness and contrast controls are on the front surface and are easily accessible to the operator.

The characteristics of the display are as follows:

- Screen
 - High-persistence, green phosphor (P39).
 - Etched surface to reduce glare.
 - Presentation of 80 characters wide by 25 rows deep.
 - Characters are defined in a 14 PEL-high by 9 PEL-wide matrix.
- Video Signal
 - Maximum bandwidth of 16.257 MHz at -3dB
- Vertical Drive
 - Screen refreshed at 50 Hz with 350 lines of vertical resolution and 720 lines of horizontal resolution
- Horizontal Drive
 - Positive level, TTL-compatibility, at a frequency of 18.432 kHz



Specifications

Size	
Height	280 mm (11 in.)
Length	380 mm (14.9 in.)
Depth	350 mm (13.7 in.)
Weight	
	7.9 kg (17.3 lb)
Heat Output	
	325 BTU/hr
Power Cable	
Length	0.914 m (3 ft)
Size	18 AWG
Signal Cable	
Length	1.22 m (4 ft)
Size	22 AWG

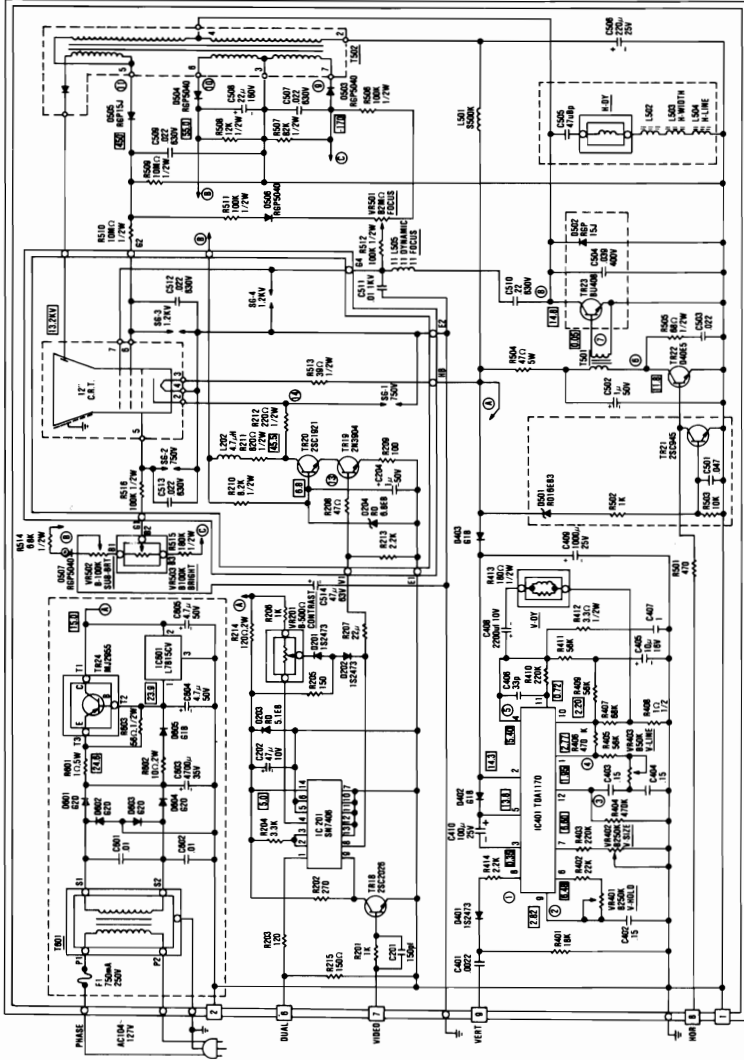
Physical Specifications



Logic Diagrams

The IBM Monochrome Display has two models: a 110-Vac model and a 220/240-Vac model. A logic diagram for each follows.

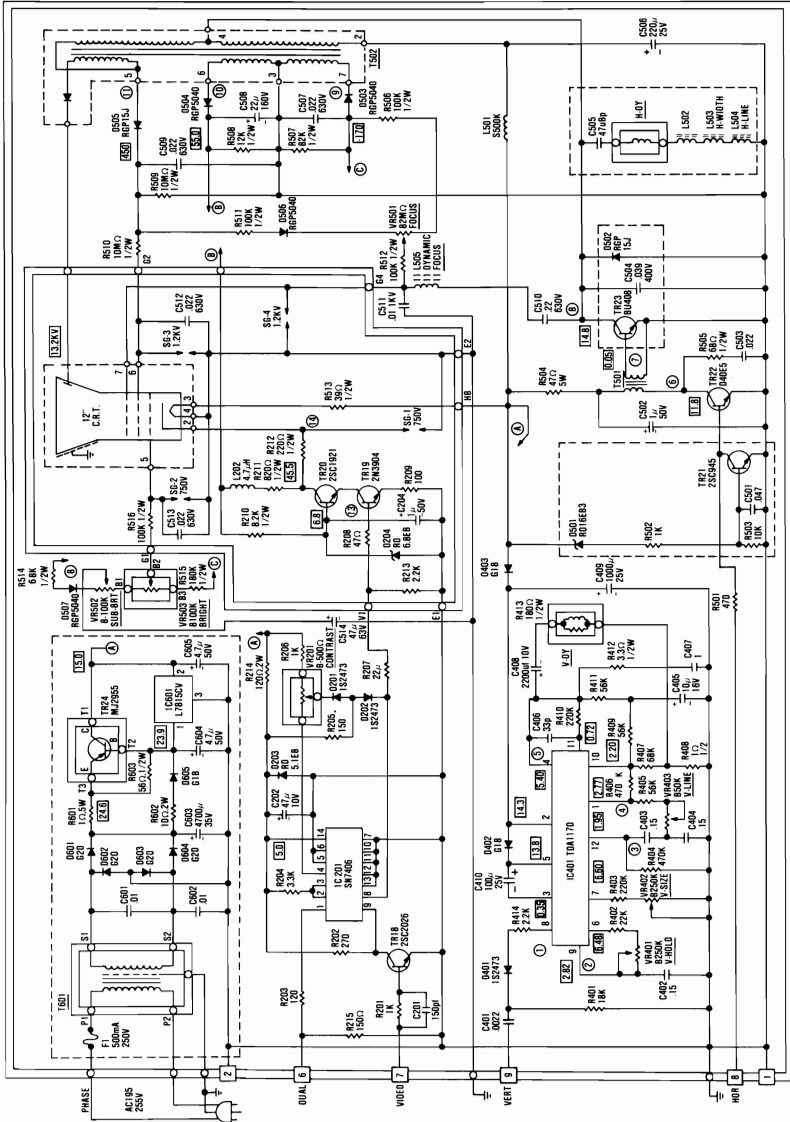
DANGER
HAZARDOUS VOLTAGES
UP TO 450 VOLTS EXIST
ON THE PRINTED
CIRCUIT BOARDS



- NOTES:
1. RESISTOR VALUES ARE IN OHMS, U.S. & 1000's IN 1 OHM RES.
 2. ALL RESISTORS ARE 50W EXCEPT WHERE OTHERWISE INDICATED.
 3. ALL CAPACITORS ARE 50V EXCEPT WHERE OTHERWISE INDICATED.
 4. CAPACITOR VALUES ARE μ F UNLESS OTHERWISE INDICATED.
 5. CAPACITOR VALUES ARE μ F UNLESS OTHERWISE INDICATED.
 6. PHASE - BLACK/BROWN WIRE
 7. RESISTOR - WHITE/BLUE WIRE
 8. CAPACITOR - WHITE/BROWN WIRE
- IMPORTANT: THE PHASE WIRE MUST GO TO THE FUSED END OF TRANSFORMER.

110Vac Monochrome Display (Sheet 1 of 1)

DANGER
HAZARDOUS VOLTAGES
UP TO 450 VOLTS EXIST
ON THE PRINTED
CIRCUIT BOARDS



- NOTES:
 1. RESISTOR VALUES ARE IN OHMS (Ω), K = 1000Ω, M = 1,000,000Ω.
 2. ALL RESISTORS ARE 1/4W EXCEPT WHERE OTHERWISE INDICATED.
 3. ALL CAPACITORS ARE 50V EXCEPT WHERE OTHERWISE INDICATED.
 4. CAPACITOR VALUES ARE µF UNLESS OTHERWISE INDICATED.
 5. PHASE - BLACK (BROWN WIRE)
 NEUTRAL - WHITE (BLUE WIRE)
 GROUND - GREEN AND YELLOW WIRE
 IMPORTANT - THE PHASE WIRE MUST GO TO THE FUSES SIDE OF TRANSFORMER.

220/240vac Monochrome Display (Sheet 1 of 1)

Notes:

